

General Safety Instructions Steam Cleaner

If you notice any transport damage while unpacking the unit, notify your dealer immediately.

Before you use the unit for the first time, carefully read the Operating Instructions. Always pay specific attention to these Safety Instructions.

The warning and information decals attached to the unit feature provide important details for safe operation.

In addition to the information provided in the Operating Instructions, the general safety regulations and accident prevention ordinances imposed by official authorities must be observed.

Electrical Connection

Connect the unit only to properly grounded mains receptacles supplying the voltage indicated on the rating plate.

Devices certified in compliance with Protection Class I must be operated on properly earthed power sources.

In high-humidity environments, such as bath installations, the unit may be operated only in conjunction with an approved protective ground-fault circuit interruptor. Please obtain the advice of an electrical specialist.

The unit must be operated with the power supply cord or cable as specified by the manufacturer. No substitutions are permitted. Observe the maintenance instructions. Refer to the Operating Instructions for part number and original equipment designation.

Never touch the power plug with wet hands.

The power cord and/or extension cord must not be subjected to of mechanical damage by vehicle tyres, or to lateral or longitudinal distress (squeezing, pinching or pulling).

The extension cord must have the cross-section specified in the Operating Instructions, and must be spray-water protected. The cable coupling must not be placed in water.

When replacing couplings on power or extension cords, the splash protection and mechanical strength must be maintained. Observe the maintenance instructions.

Operating Specifics

Prior to each use, the unit and its attachments must be inspected for proper condition and operational safety. If the unit is found to be in unsatisfactory or unsafe condition, its use is prohibited.

Please check especially the safety catch and the electrical power connection.

The steam hose must be free of damage (scalding hazard!). A damaged steam hose must be replaced without delay. Only hoses and connecting elements approved by the manufacturer may be used.

Refer to the Operating Instructions for order number and original equipment designation.

Never fill the boiler with solvent-bearing liquids or undiluted acids! This particularly includes cleaning agents, petrol or paint thinner. **EXPLOSION HAZARD!** Also, do not use acetone, undiluted acids and solvents, because they attack the materials of which the unit is constructed.

In the event that the unit is used at petrol stations and in other hazardous areas, the appropriate safety regulations must be observed. Operation of the unit in explosive environments is prohibited.

The unit must be placed securely on a firm surface.

During operation, the steam control switch must not be wedged open.

Use extreme caution when filling water into the boiler while it is still hot. Sudden steam pressure could expel hot water from the boiler and cause severe scalding injury!

Cleaning of electrical appliances

When cleaning electrical appliances (including electric cookers), they must be cut off from the mains (switch off circuit breakers or remove the fuse). Before returning them to normal operation, the appliances must be allowed to dry thoroughly.

Please observe the instructions of the respective appliance manufacturer(s).

Steam cleaning is prohibited on all electrical appliances, i.e., hair-dryers, electrical heaters, etc. that allow direct steam contact with electrical wiring and switches. The steam could enter into the electrical components and, on condensing, cause an electrical defect.

Never touch the steam jet with your hand, or direct it at persons or animals (scalding hazard).

Materials containing asbestos and other items known to contain hazardous substances must not be steam-cleaned.

Operating the Unit

The operator may use the unit only as described in the Operating Instructions. He is obligated to observe local conditions and, while working with the unit, take into account the presence of third persons, and especially children.

The unit may be operated only by persons who have been thoroughly instructed in its use, or who have provided proof of their ability to operate the unit, and who have been expressly charged with operating the unit. The unit may not be operated by children or adolescents.

The unit must never be without supervision while it is operating.

Moving the Unit

The unit must be switched OFF and securely fastened while moving it between locations.

Maintenance

Prior to performing cleaning and maintenance procedures, and before replacing parts, the unit must be switched OFF, and the power plug must be disconnected.

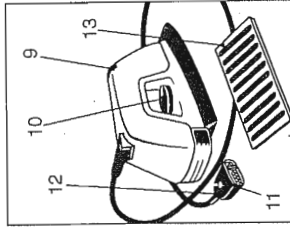
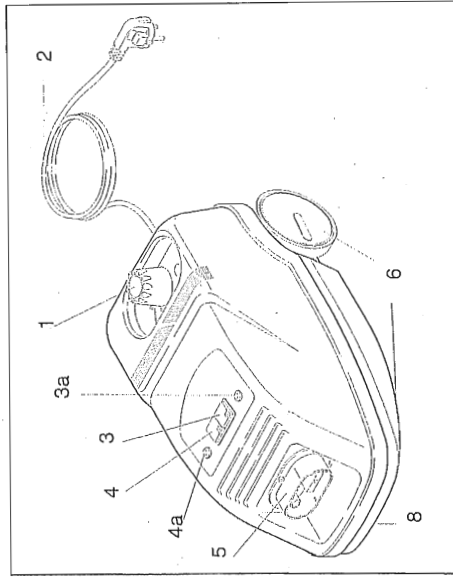
Repair and service procedures may only be performed by authorised customer service depots or by experts who are thoroughly familiar with all applicable safety regulations.

Accessories and Spare Parts

Only accessories and spare parts approved by the manufacturer may be used. Original accessory and original spare parts ensure a safe a trouble-free operation of the unit.

Please use only the original safety cover!

1. Illustration

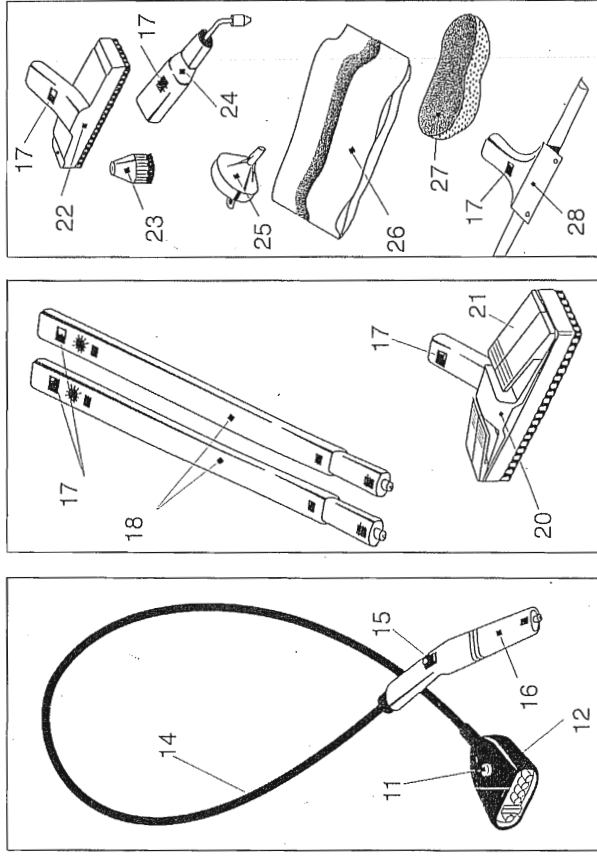


- 1 Safety Cap
- 2 Connecting line
- 3 Steam supply switch
- 3a Low-water indicator light
- 4 Heating switch
- 4a Heating indicator light
- 5 Accessories plug socket
- 6 Wheels

2. Control Elements

- 8 Recessed grip
- 9 Switch for steam supply and LED display for heating of iron
- 10 Iron Temperature Control
- 11 Button
- 12 Accessories Plug
- 13 Iron Rest

1. Illustration



2. Control Elements

- 11 Button
 - 12 Accessories Plug
 - 14 Connection hose
 - 15 Steam Gun Switch
 - 16 Steam Gun
 - 17 Locking button
 - 18 Pipe (2x)
 - 20 Large Brush
 - 21 Brush clips (4x)
 - 22 Small Brush
 - 23 Crevice brush
 - 24 Steam Nozzle
 - 25 Funnel
 - 26 Cloth for large brush
 - 27 Cloth for small brush
 - 28 Window wiper
- Accessories without diagram
- Replacement O-rings for steam gun and extension pipe

3. Technical Data

Electrical Connection

Voltage	V	230
Current type	Ph/Hz	1/50

Performance Data

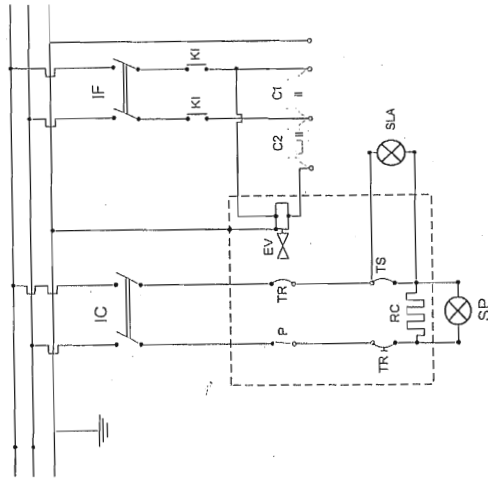
Boiler steam output	W	1500
Iron	W	750
Boiler pressure (max.)	bar	3.5
Permissible working pressure	bar	5.0

Dimensions

Weight without accessories	kg	4.4
Tank capacity (max.)	l	1.5

Circuit diagram

- KI Child-proof lock
- IC Heating switch
- IF Steam supply switch
- EV Solenoid valve
- P Pressure switch
- TR Resettable thermostat
- TS Safety thermostat
- RC Heating resistor
- SP Heating indicator light
- SLA Low-water indicator light
- C1 RC Filter
- C2 Suppression capacitor



4. Starting

4.1 The Appliance

The KÄRCHER K 1500 is a steam generator which makes it possible to turn ordinary tap water into steam.

The cast boiler (1.5 ltr capacity) with the special aluminium alloy prevents formation of lime and prolongs service life. Steam pressure is controlled by a pressure monitor which allows the values to be kept at a steady 3 bars.

4.2 Precautionary Measures

⚠ Steam may discolour or warp some surfaces. Familiarize yourself beforehand with the manufacturer's instructions and always carry out a cleaning test on a concealed area before starting work.
Vigorously spray the concealed area with steam and allow to dry. You can then determine whether the colour or shape has changed.

4.3 Electrical connection

- See technical data for connection values.
- Only connect the appliance to power supply voltage specified on the rating plate.

The KÄRCHER K 1500 is manufactured in accordance with the IEC international norms and is fitted accordingly with a safety valve, 2 safety thermostats, an additional thermostat to guard against starting up without water and a cut-out switch on the connecting element to the accessories. Furthermore it has been tested by the LCIE Institute in Paris.

The KÄRCHER K 1500 is also fitted with the specially patented safety cap which prevents accidental opening of the appliance until the inside pressure is minimal.

5. Operation

5.1 Steam Generator

- Unscrew on the safety cap (1) and pour cold or warm water into the tank using the funnel. Screw the cap back on tightly.
- We recommend that only 1 litre is added, in order to provide more space for steam to develop.
- Insert the AC plug (2) in the socket and press switches (3) and (4).
- Wait until the indicator light (4a) goes out. The system is ready for operation.
- Insert the accessories plug (12) in the socket (5). At the same time press the quick-release button (11) and pull forcefully.

- To remove the accessories plug (12), press the button (11) and pull forcefully.

- The indicator light (4a) for the heating system switches on when the appliance is being used, so that the pressure can be maintained at 3 bar.
The low-water indicator light (3a) switches on when the water has been used up.

- If the appliance is switched on cold without water the heating indicator light (4a) first switches on until the safety thermostat switches off the heating. The low-water indicator (3a) light then switches on.

5.2 Topping-Up with Water

- Whenever there is no more water, proceed as follows:
 - press switch (4)
 - switch on the switch (3)
 - press the switch (15) on the handle of the steam gun (16) or on the handle of the iron (9) until all the steam has been released
 - unscrew the safety cap (1)
 - wait for 2-3 minutes
 - top-up with water once again
 - the filled appliance should be switched off (3) when not being used.
- This appliance is fitted with a safety cap. As long as there is steam in the appliance it cannot be opened.

Note:

Please do not use water which contains lime as this could block the unit or cause malfunctions when ironing.
We recommend that you either purchase delimed water from a specialist shop or delime the water yourself with the Kärcher water filter, order no.: 6.370-956 (replacement filter cartridge, order no.: 6.370-957).

5. Operation

5.3 Connecting the Accessories

- Connect the accessories plug (12) to the appliance.
When the appliance is ready to operate (heating indicator light (4a) off) actuate the switch (15) attached to the pipe (16) and direct the steam jet onto a rag until the steam jet is emitted uniformly.

The extension pipes (18) can be connected to the desired accessories.

(18)	-	Pipe
(20)	-	Large Brush
(22)	-	Small Brush
(24)	-	Steam Nozzle
(28)	-	Window wiper

- set the lock-on button (17) (attached to every accessory) to the open position;
- Connect the part to the connection hose (14);
- press the lock-on button (17) to the closed position.

5.4 Connecting the Iron*

- The iron can be connected as follows:
 - Connect the appliance to the iron's accessories plug.
 - Adjust temperature to cotton/linen with the rotary thermostat switch (10). This temperature allows steam ironing of all types of fabric. To dry iron set the temperature according to type of fabric.
 - Wait 3-4 minutes until lamp of the switch (9) goes out and the set temperature has been reached.
 - Press the relevant button to release steam. It is advisable to direct the first steam jet onto a rag.
 - The iron can also be held in a verticle position to iron curtains, clothes etc.



- Do not leave the iron unattended while it is connected to the mains.
- It is advisable to direct the first steam jet towards a cloth.

* Note

The iron is included in standard delivery or is available as an accessory depending on the model, order no. 6.370-934.

6. Application Instructions

6. Application Instructions



6.1 Steam Gun (16)

- The steam gun can be used without brushes for certain cleaning tasks, which according to the material or degree of soiling, may need to be steam cleaned at a close or long distance. The greater the degree of soiling, the closer the spray gun is to be held, since steam temperature and pressure are at their highest at the point of emission. In the event of stubborn dirt, wipe with a dry cloth or coarse sponge after steam cleaning.

- Use the steam gun for treatment of stains on tiles, rugs and carpeted floors before these are brushed.

- The steam gun can be used for:

- cleaning stainless steel, windows, mirrors, coated and enamelled panellings (surfaces)
- cleaning hard-to-reach corners such as stairs, windows, aluminium door frames
- cleaning inside ovens, refrigerators and freezers (quick defrost)
- cleaning blinds, heaters, car interiors
- removing odours and creases from clothes.

- If necessary (in hard-to-reach areas), the steam gun can be extended with the pipes.

6.2 Large Brush (20)

- It comprises the brush and one or two extension pipes. Use this brush for all large washable surfaces. To clean floors, put the brush on a dry, clean cloth and move backwards and forwards without applying pressure.

- For verticle surfaces or ceilings, wrap a dry cloth around the brush and proceed as when cleaning floors. Use a cotton cloth which will not leave behind any bits of fluff to clean glass surfaces.

Fasten the cloth with the clips provided for this purpose to the handle and pass over the panes in order to remove all grease and any cleaning agent residues.

6.3 Small Brush (22)

- The brush can be attached to one of the extension pipes or the steam gun.

- The small brush can be used for cleaning:

- upholstery fabrics
- leather and furs from a certain distance
- car interiors and windshields.

6.4 Steam nozzle (24)

- The steam nozzle, which can be connected to the steam gun or the extension pipes, may also be used in locations which are difficult to access, e.g. corners, joints, e.g. This is a very good way of cleaning radiators, door frames, window sills, window shutters etc, as well as disinfecting toilet bowls.

6.5 Window squeegee (28)

- Apply steam uniformly to the glass surface. Switch off the steam supply. Wipe the glass surface in columns from top to bottom using the rubber lip. Wipe the rubber lip dry after each pass.

Important information



1. Cleaning glass

Window panes which are not heated uniformly may crack.

Steam should be first applied lightly to the whole window pane, particularly if the outdoor temperature is low. This will equalize the temperature differences and avoid tension on the surface of the glass.

2. Cleaning laminated or painted surfaces

When using steam to clean kitchen or household furniture, doors, painted or plastic laminated surfaces, please note that wax, furniture polish, plastic laminates and paints may loosen if the steam is applied for too long. Therefore, only apply steam briefly to these surfaces or clean with a damp cloth.

3. Cleaning textiles

Before cleaning textiles, you should first carry out a test on a concealed area. Vigorously spray the area with steam and allow to dry. You can then determine whether the colour or shape has changed.

4. General information

In order to prevent the hot steam from causing damage, apply the concentrated steam jet very carefully, especially to sensitive surfaces. Never touch the steam jet at close range (danger of burns).

5. Caution

When cleaning electrical appliances (also electric ovens), disconnect these appliances from the mains or, if required, switch off the circuit-breaker.

Please comply with the instructions from the manufacturer of the appliance.